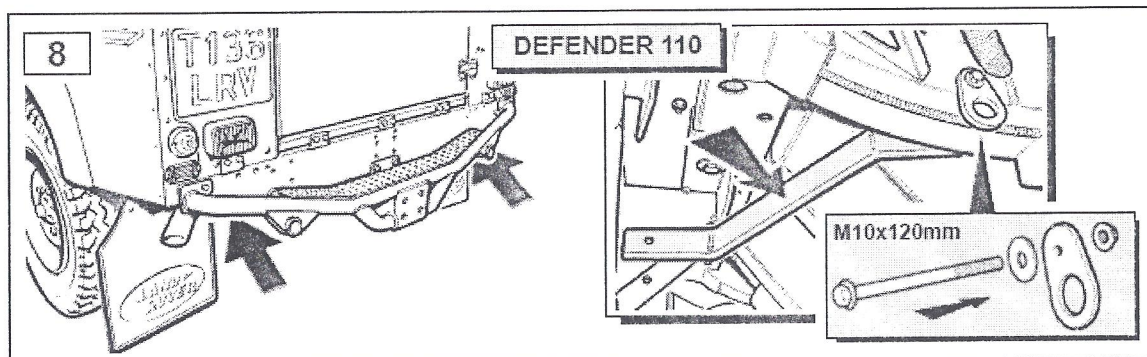
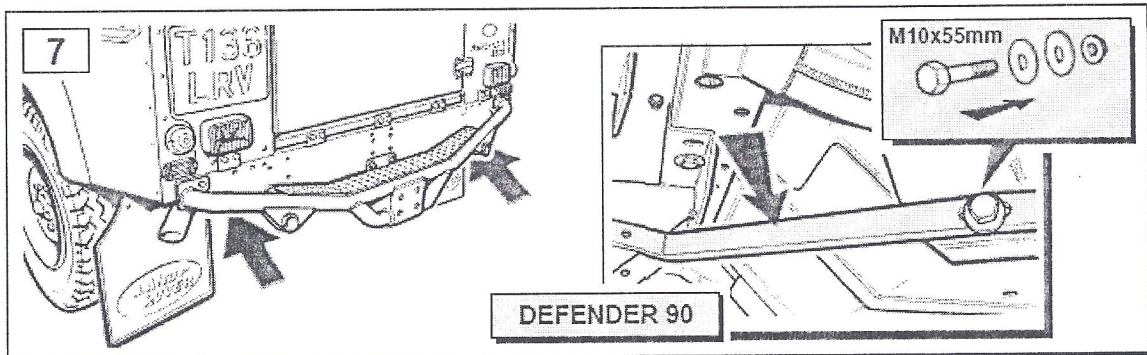
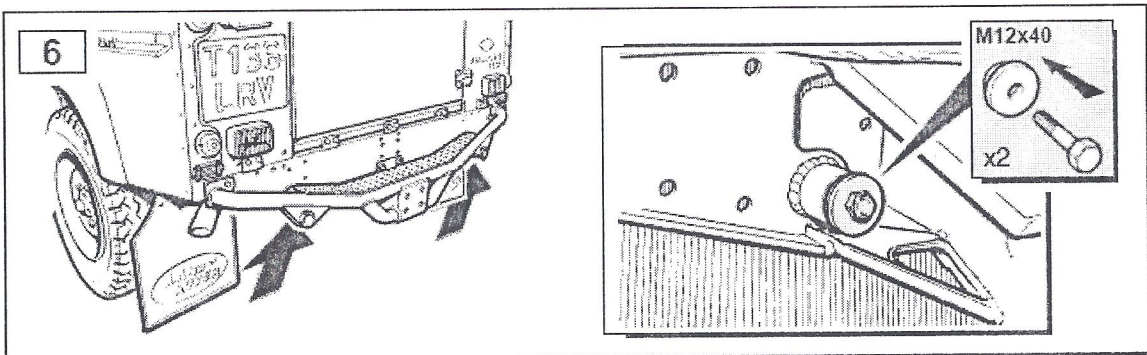
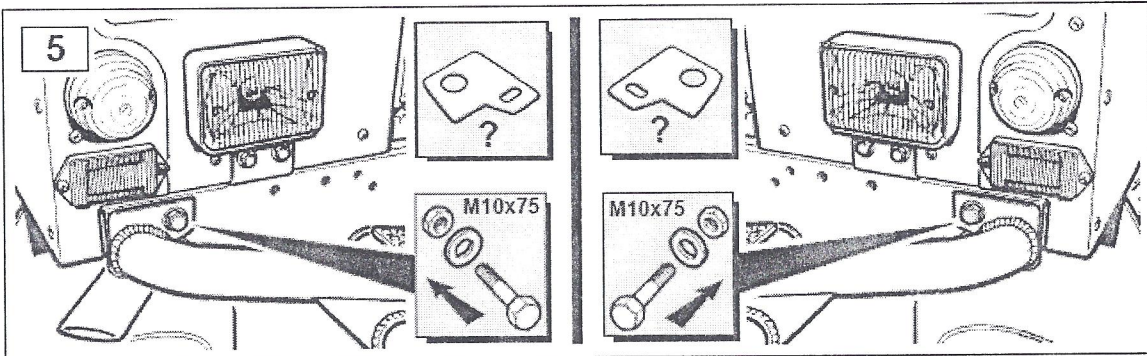
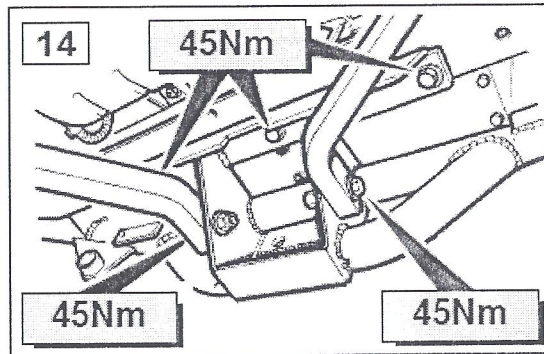
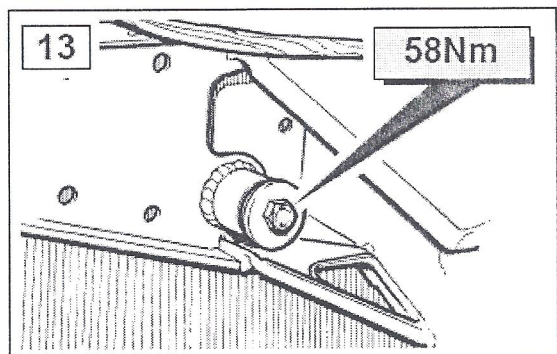
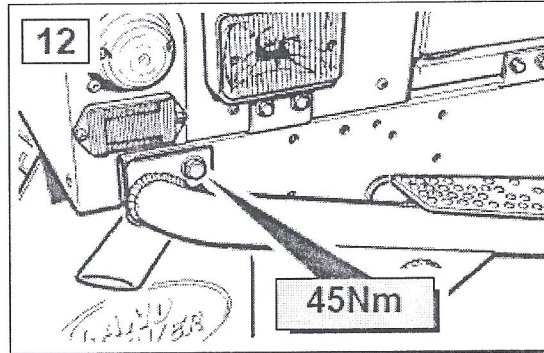
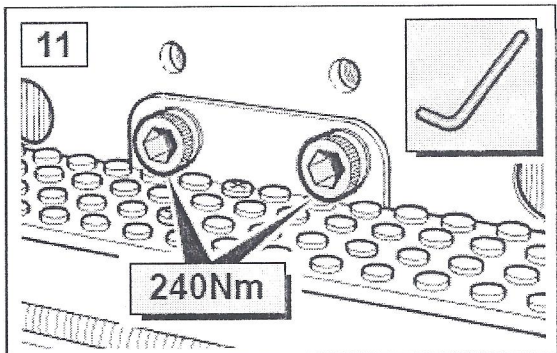
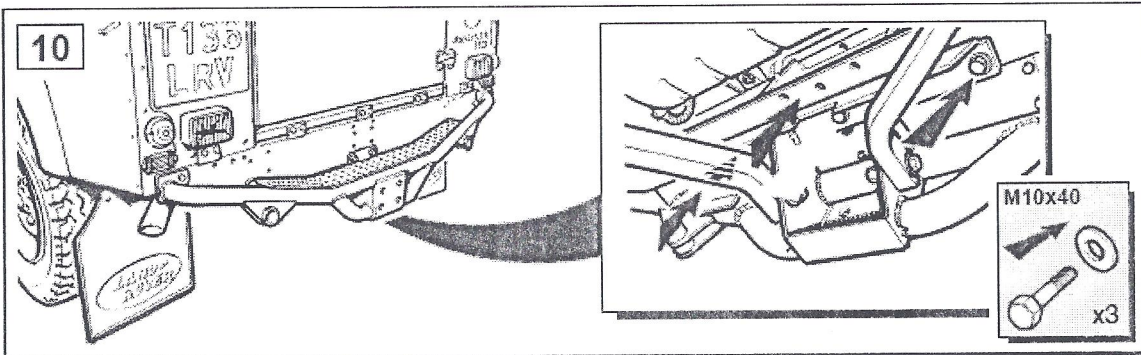
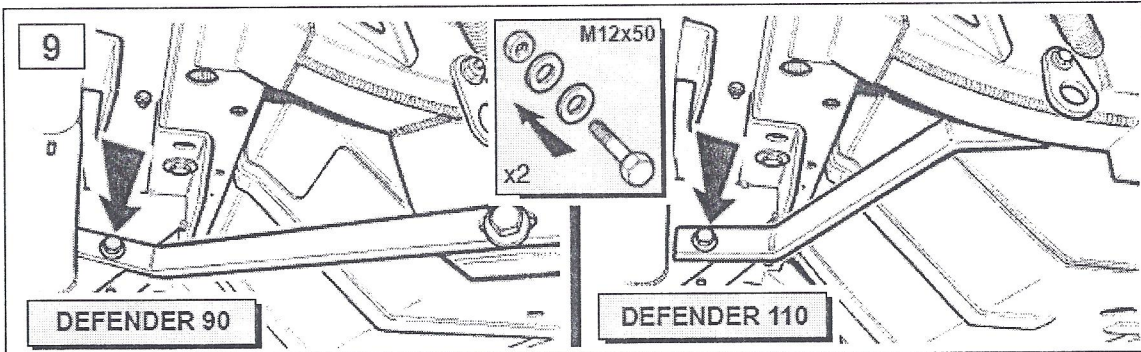


WARRANTY & DISCLAIMER - TerrafirMa products are warranted free from defects in materials and workmanship for a period of 2 years from the date of retail receipt. TerrafirMa does not warrant that the products are designed or modified by it comply with the laws of the country where these goods are purchased or used, it is the sole responsibility of the purchaser to ascertain whether products being purchased, or the fitting of these products are either subject comply with local laws. This warranty covers the defect and workmanship. It does not cover fixtures, fire damage, for removal or refitting, freight costs, normal damage, misuse or abuse, fitting, use to transport or improper storage or installation, modified product, faulty design or workmanship, or any kind of damage or defects caused by pollution, alteration, misuse, road hazards, adverse conditions or usage by any other person other than named private usage, are not covered by this warranty. TerrafirMa will not be liable for any claims related to the use of the product and any liability special or consequential damage or injury to any person, company or other entity. All claims must be accompanied by the original retail invoice and should be submitted by the purchaser within 4 weeks of retail receipt. This warranty voids any replacement of the product or part concerned. The decision remains solely of the Jurisdiction of Allentekas Ltd. The arbitration contained in this contract shall not be subject to any dispute resolution process. Allentekas/TerrafirMa Ltd. is associated to repair and service the right to use the cargo and any product over the vehicle without notice. Always consult your Allentekas/TerrafirMa dealer, or for the latest product information and specifications. The TerrafirMa subject products is constantly being evaluated in maintenance and improvement to make sure the level of quality and performance to be repeated.

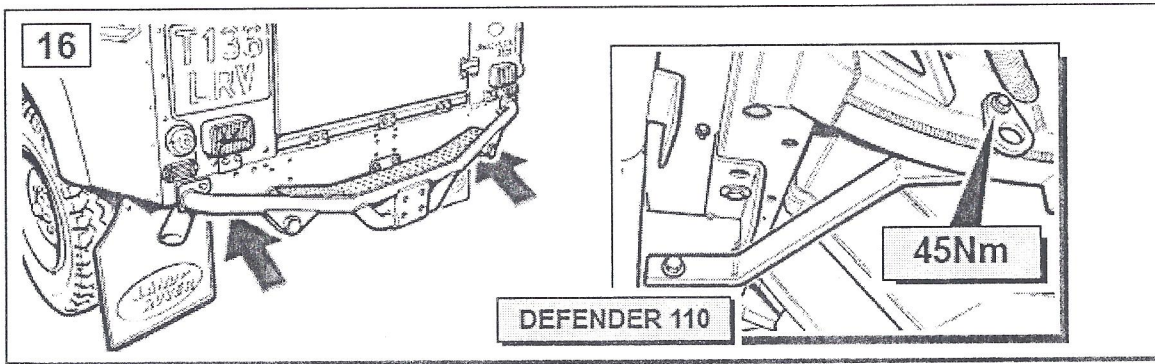
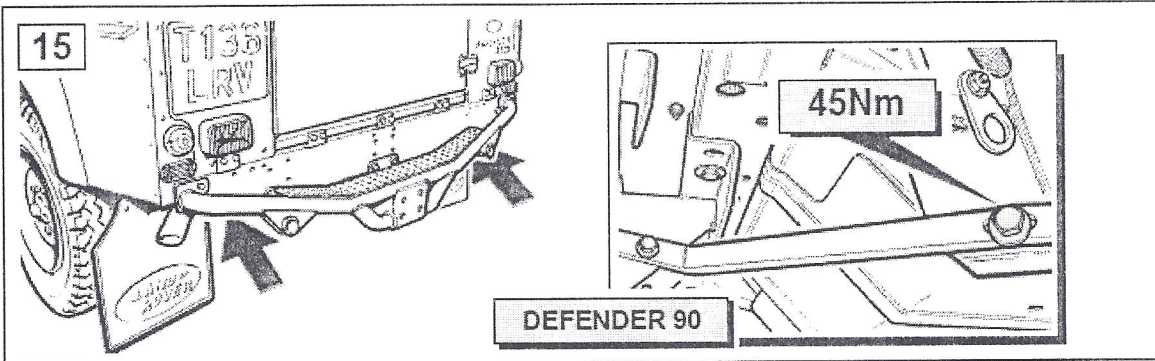
TF883KIT90



WARRANTY & DISCLAIMER - TerrafirMa products are warranted free from defects in materials and workmanship for a period of 2 months from the date of retail receipt. TerrafirMa does not warrant that the products manufactured or marketed by it comply with the laws of the country where these goods are purchased or used. It is the sole responsibility of the purchaser to ascertain whether products being purchased or fitted to their products in any other country, comply with local laws. This warranty covers material defect and workmanship but does not cover failures, damage or charges for removal or fitting, transport, storage, damage, misuse or abuse, disrepair or inappropriate or excessive use, modification, tampering or damage of any kind. Damage or defects caused by accident, alteration, misuse, modifications, road hazards, adverse conditions or usage by any other person other than the original private purchaser are not covered by this warranty. TerrafirMa shall not be liable for any claims relating to the use of the product and any accident or injury or damage to any person, company or other entity. All claims must be accompanied by the original retail invoice and should be submitted to the supplying TerrafirMa 4x4 firm/retailer. This warranty covers only the replacement of the product part concerned. The fitness for any vehicle is the decision of the retailer. The information contained in this instruction is for your information only and does not constitute an offer of any product. Always consult your TerrafirMa distributor for the latest product information and specifications. The TerrafirMa range of products is constantly being updated to enhance and improve its value and the level of quality and performance it is required.



WARRANTY & DISCLAIMER: Terrafirma products are warranted free from defects in materials and workmanship for a period of 12 months from the date of retail purchase. Terrafirma does not warrant that the products manufactured or provided by it comply with the laws of the country where these goods are purchased or used. It is the sole responsibility of the purchaser to ascertain whether products being purchased, or the fitting of these products to any other object, comply with local laws. This warranty covers only direct defect and workmanship but does not cover failures, losses or charges for removal or fitting, repair work, accidental damage, misuse or abuse, damage due to wear and tear or any part being or modification, modified product, fire, theft or any other cause of any kind. Damage or defects caused by accident, alteration, neglect, wear and tear, road hazards, adverse conditions or usage for any other purpose other than normal private usage are not covered by this warranty. Terrafirma will not be liable for any other claim relating to the use of the products in any vehicle, special or commercial use or in any person, company or other entity. All claims must be accompanied by the retail receipt and should be submitted to the supplying Terrafirma 4x4 Terrafirma distributor. This warranty covers only the replacement of the product part concerned. The decision remains solely at the discretion of Terrafirma UK. The information contained in these instructions is current at the time of going to press. Although Terrafirma UK has every intention to review the suitability of its range and any product specifications without notice. Always consult your Terrafirma 4x4 Terrafirma distributor for the latest product literature and specifications. The Terrafirma range of products is constantly being enhanced to enhance and improve and to make sure the latest technical performance is always ahead.



WARRANTY & DISCLAIMER - TerrafirMa products are warranted for their duration of use and are intended for a period of 12 months from the date of retail issue. TerrafirMa does not warrant that the products manufactured or provided by it comply with the laws of the country where these goods are purchased or used. It is the sole responsibility of the purchaser to ascertain whether products being purchased or the fitting of these products to any vehicle comply with local laws. This warranty covers all direct defects and workmanship. It does not cover finishes, loss or damage by accident or theft, theft, corrosion, damage, misuse or abuse, damage due to overloading or modification, modified parts, faulty design or misuse, or the damage of any kind. Damage or defects caused by pollution, alteration, improper use or abuse, misuse, misuse, adverse conditions or usage for any other purpose other than normal private usage are not covered by this warranty. TerrafirMa shall not be liable for any other claim relating to the use of its product and any liability specified in the product manual or any other party to repair or other entity. All claims must be accompanied by the original retail invoice and otherwise submitted by the purchaser. TerrafirMa is not responsible for the replacement of the products past warranty. The disclaimer herein is the property of TerrafirMa, U.K. The information contained in this website may be subject to change without notice. TerrafirMa shall not be liable for any damage or loss of data or any product or accessories without notice. Always consult your TerrafirMa/TerrafirMa distributor for the latest product information and specifications. The TerrafirMa range of products is constantly being updated to enhance and improve them to make sure the level of quality and performance is as expected.